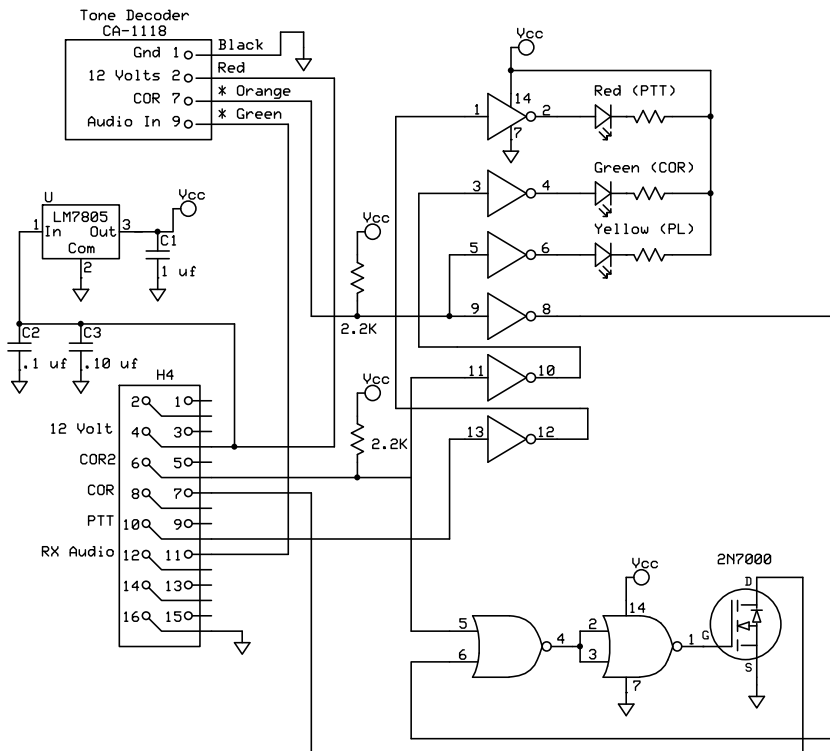


This module allows the CAT-1000 to autodetect CTCSS tones
 COR is developed on board. Both PL and COR need to be present to trip COR output
 All digital signals are active low

This module plugs into H4 on the CAT-1000



Note: * Colors might be different

Tone Decoder is Maxon CA-1118, Norcom NC-106 or equivalent
 Q1 - 2N7000
 U1 - 7414
 U2 - 7402

OL Communications, Inc.		
CAT-1000 Digital Smart Module		
Joe Loucka AG4QC@Cyberbest.com	Rev 3.1.1D 11/22/2011	Page 1 of 1